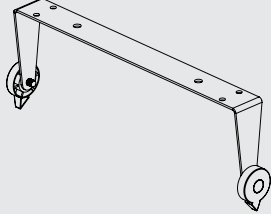
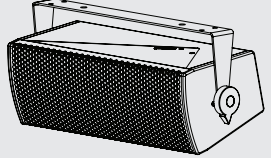
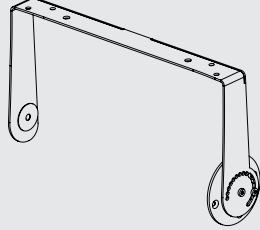
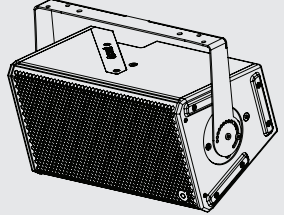


## Kit Summary

The QR System includes various mounting options and components for the HPI 5/25/8i. Whether your requirements are for touring or highly specific installations, there is a perfect solution readily available. Several kit options have been designed which include everything required for most applications.

### Ready to use Rigging Kits

Name & Reference	Application	In the Kit	Kit Illustration Detail	Kit With Speaker Illustration
<b>U bracket for HPI25</b> <b>Ordering Ref:</b> <b>ACHPIUB25</b>	<ul style="list-style-type: none"> <li>• 1 speaker</li> <li>• Ceiling hang / under balconies</li> <li>• Full vertical rotation</li> </ul>	<ul style="list-style-type: none"> <li>• U bracket</li> <li>• 2 x Q-knob (US: 3/8 inch)</li> </ul>		
<b>U bracket for HPI8i</b> <b>Ordering Ref:</b> <b>ACHPIUB8</b>	<ul style="list-style-type: none"> <li>• 1 speaker</li> <li>• Wall mount/ Ceiling hang / Under balconies</li> <li>• Full vertical rotation</li> </ul>	<ul style="list-style-type: none"> <li>• U bracket frame</li> <li>• Base-plate (to replace the top-hat)</li> <li>• 2x M6x30 bolts</li> </ul>		

### Omni-mount Compatibility (HPI-5 and HPI-25)

The HPI-5 is compatible with the 20.0 Stainless Steel series of Omni-mount products.

The HPI-25 is compatible with the 30.0 Stainless Steel series of Omni-mount products.