

## Quest WB350 Bracket Mounting Instructions

The WB350 is an installation speaker wall/ ceiling mounting bracket to suit the Quest QM350i loudspeakers.

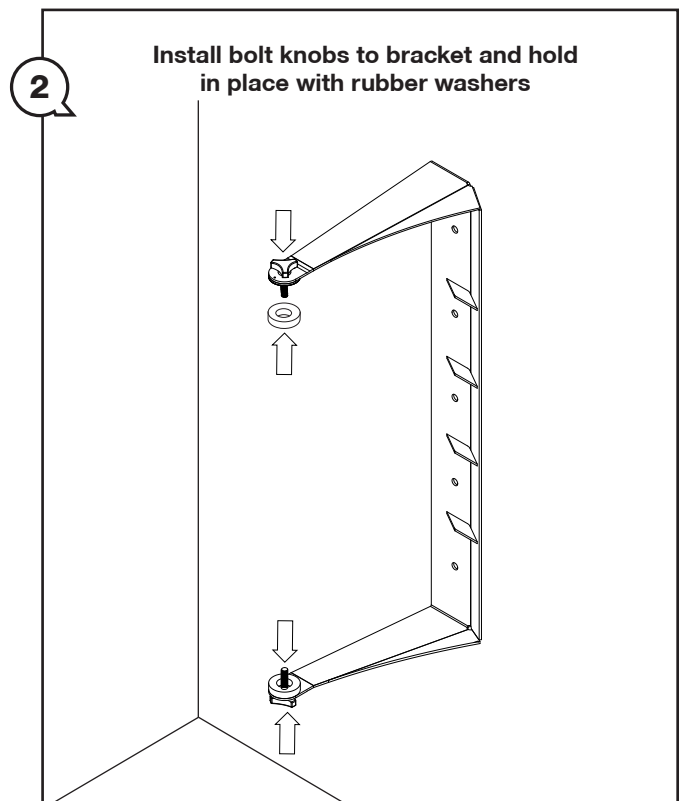
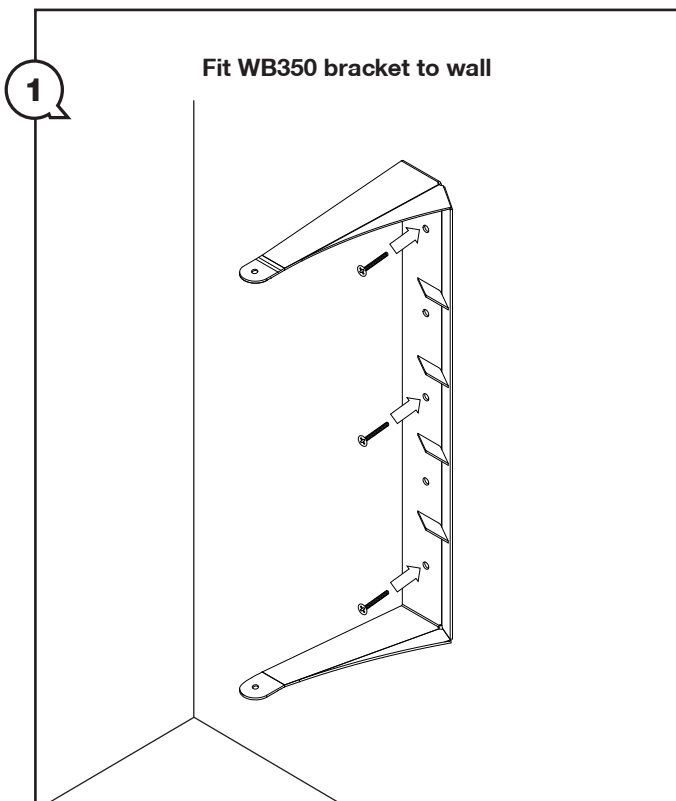
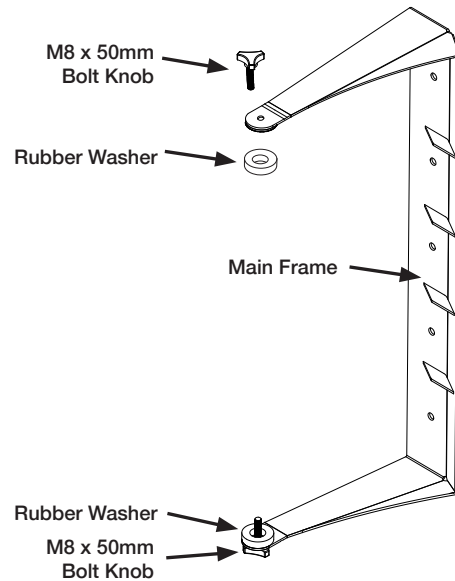
Its construction and a correct installation allows for multiple and safe applications and mountings of the speaker onto a wall, hung from a ceiling or flown.

This instruction manual and the device itself are designed to provide the best use and versatility of Quest Engineering loudspeaker associated with that product.

### **⚠ WARNING**

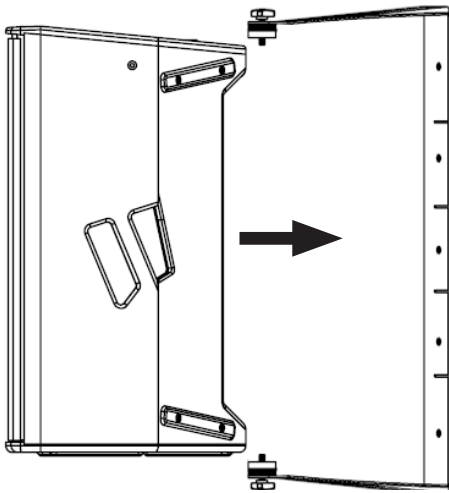
This equipment is to be installed by a qualified professional, and linked to a safe point with a security link. A security link must be able to take the weight of the speaker box and bracket with a safety factor.

Quest Engineering cannot be held responsible for any injury resulting of any misuse of speaker bracket or installation.



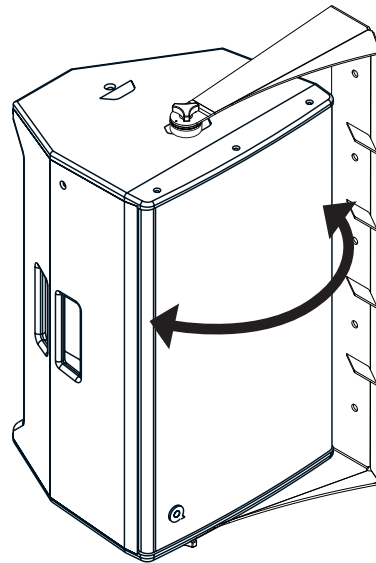
3

Locate box into position within the bracket and loosely fasten bolt knobs.



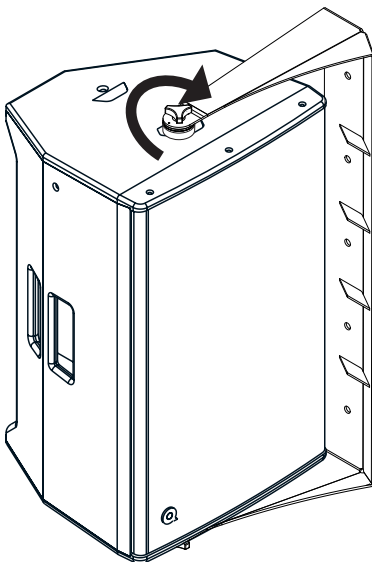
4

Orient box to desired angle.



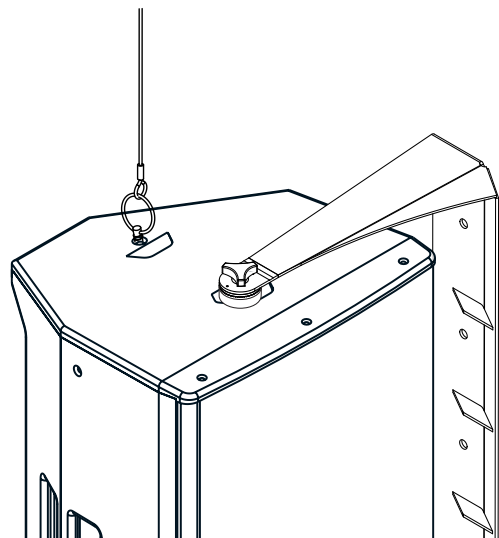
5

Fully tighten bolt knobs.



6

Fix installer safety wire (not supplied) to the attachment point.



**ATTENTION:** Confirm attachment of safety wire which must be able to carry the weight of the speaker box.