

UB2 Ceiling Pan/Tilt Mounting Kit

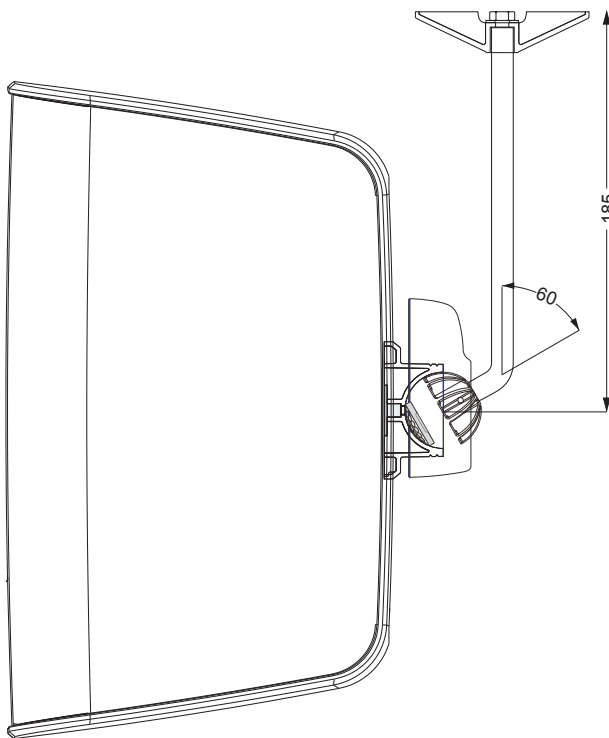
Features

- Slimline Aesthetics
- Forged Steel Insert & Pin for Position Locking
- Wide Range of Pan/Tilt Angles
- Made from a Metal-Replacement Thermoplastic
- Light Weight (0.4kgs)

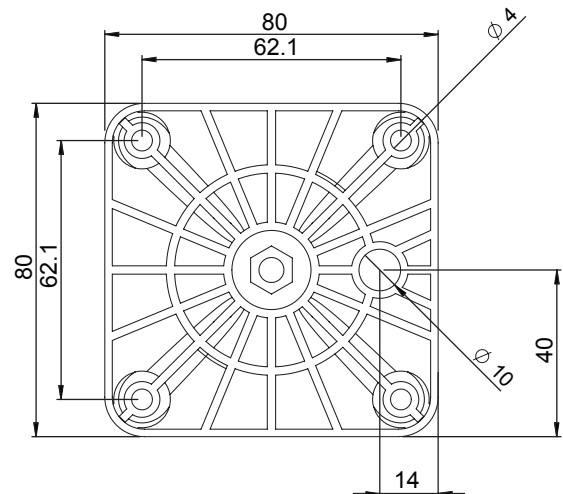


**LOAD LIMITS MUST BE
ADHERED TO!
AS PER CHART ON REAR
OF PACKAGING**

Bracket Length, and Arm Angle



Mounting Plate Dimensions



Method of Operation

